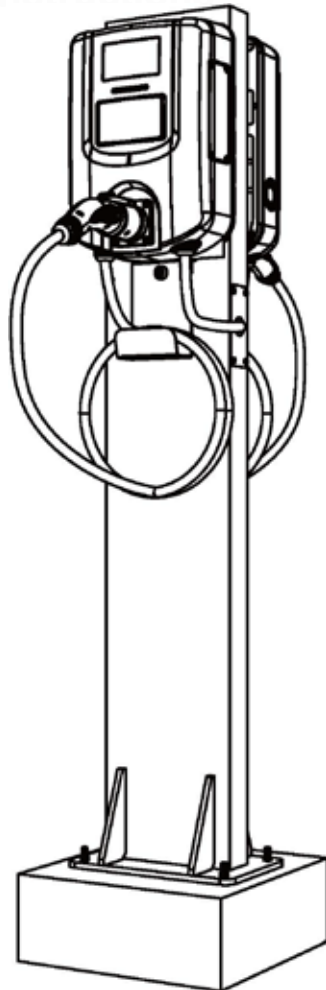


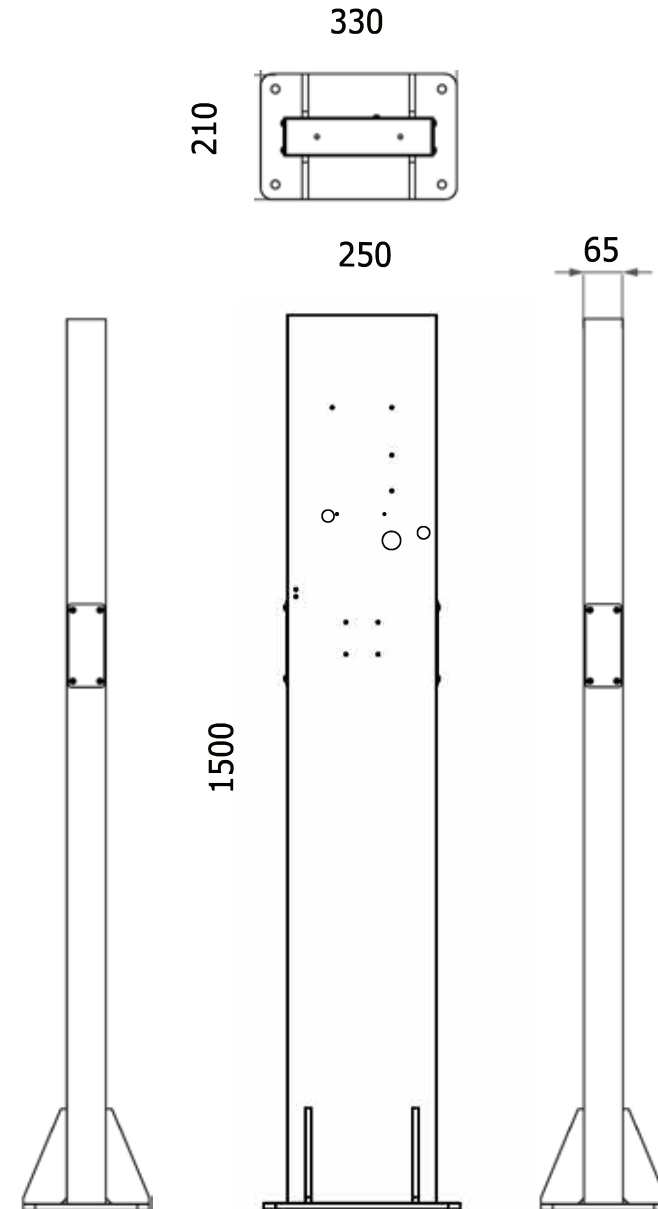


DUAL CHARGER PEDESTAL EVA/PED/P88D

Installation instructions



1. Dual mount pedestal outline dimensions. Unit : mm



2 . Installation instructions

2 . 1 . Concrete base requirement

The built concrete pad should be compliance with local regulatory requirements. The following dimension or struction related descriptions are the minimum requirement only.

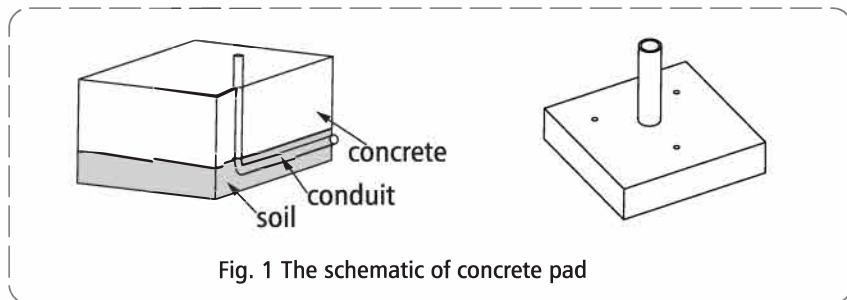


Fig. 1 The schematic of concrete pad

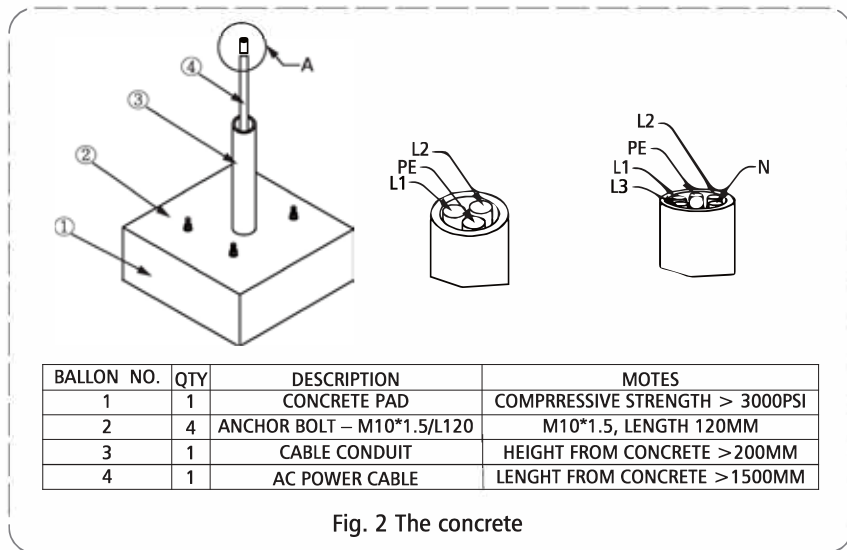


Fig. 2 The concrete

- First, build the concrete pad for pedestal, the compressive strength must be over 3000psi, reference picture is shown as Fig. 1 & Fig. 2, and the concrete pad dimensions(Space: W400mm X L400mm X H500mm) is shown as Fig. 3.
- Please mount 4 pieces of M12X1.75 anchor bolts on the concrete pad based on the dimensions below. The height of the bolt should be at least 20mm above the concrete pad and depth of bolt is at least 90 mm.

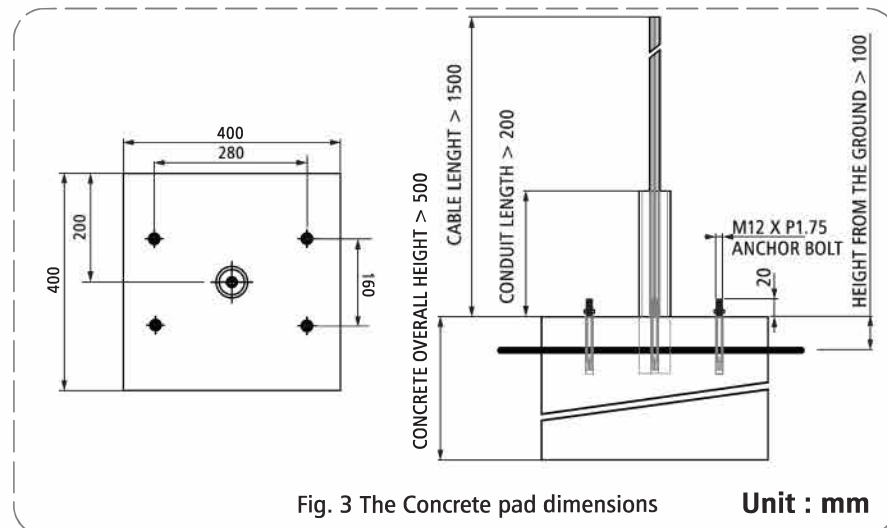


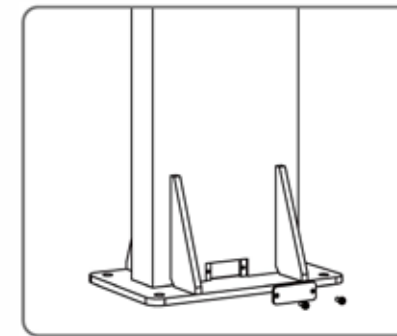
Fig. 3 The Concrete pad dimensions

Unit : mm

- The conduit length must be over 200mm to avoid liquid entering.
- Ensure the length of AC power cable and the Ethernet (LAN) cable should be long enough (1500mm) to reach up the pedestal body, then into the charger.
- Please follow the instructions of the AC charging station on the rack.
- After the AC and LAN cable work finish, the conduit fill the silicone sealant to arrive the water, dust and bug-resistant.

Side Entry

If use the side entry, please seal it with silicone after completion



2.2 Pedestal installation

- The pedestal base has 4 holes to align the anchor bolts and tight nuts (tightening torque > 400 kgf-cm).

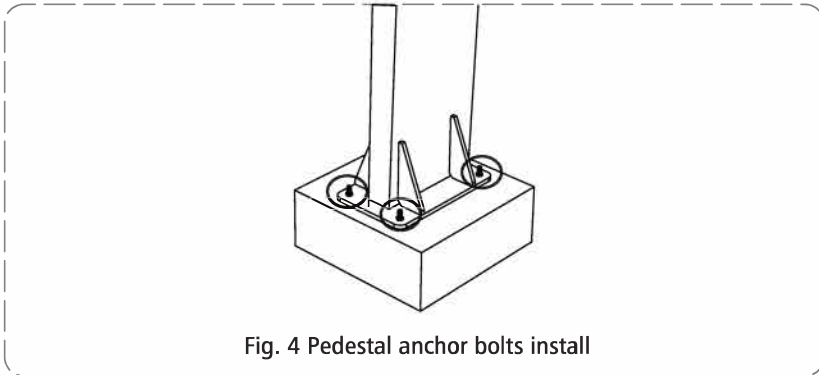


Fig. 4 Pedestal anchor bolts install

- The AC cable and LAN cable go through the holes off the pedestal body, shown as follows.

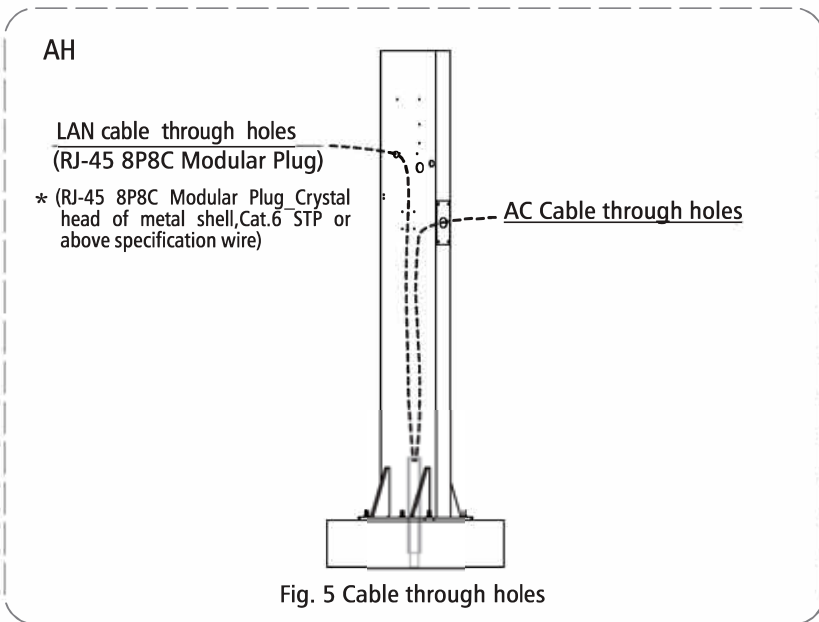


Fig. 5 Cable through holes

- The AC cable and LAN cable go through the holes off the pedestal body, shown as follows.

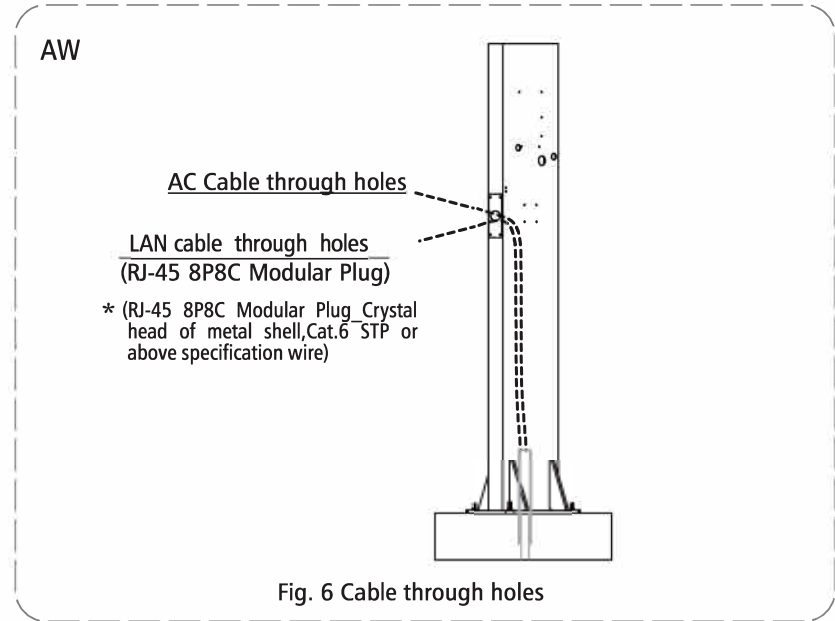


Fig. 6 Cable through holes

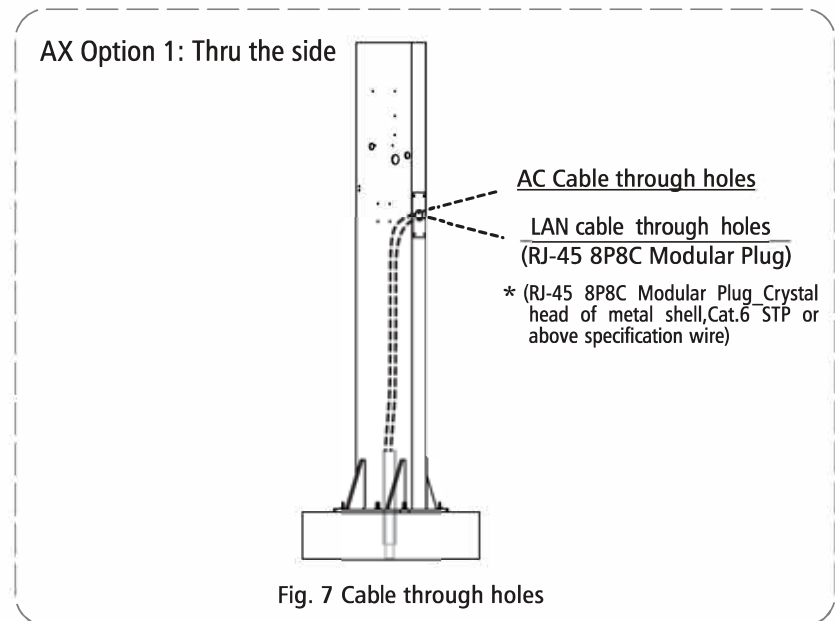


Fig. 7 Cable through holes

AX Option 2: Thru the back

AC Cable through holes

LAN cable through holes (RJ-45 8P8C Modular Plug)

* (RJ-45 8P8C Modular Plug, Crystal head of metal shell, Cat.6 STP or above specification wire)

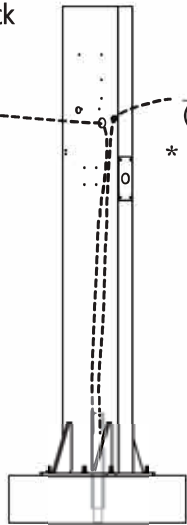
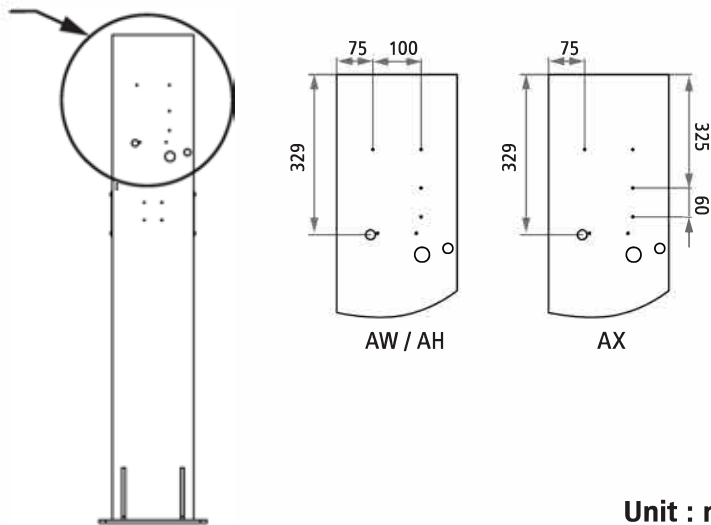


Fig. 8 Cable through holes

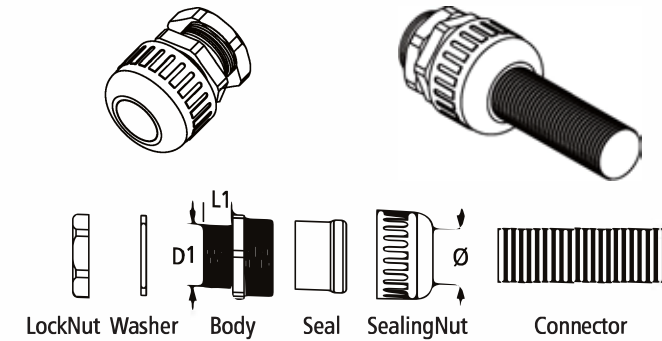
2.3 Final

- The pedestal has four screw holes can be used to fasten the bracket of EVSE, the positions are shown as follows:



Unit : mm

- If you want to use metal hoses, you need to bring your own 2 hose waterproof joints.



Metric thread BGQF-M

Item No.	Thread	Suit to RCCN conduit item no	Suit to RCCN conduit item no	Thread O.D.	Panel Mounting Hole	Thread Length
Black		BG	BG	D1		L1
BGQF- M25B(BG-23)	M25 X 1.5	BG-23	28.5	25	25-25.4	12

- The mounted whole series EVSE are shown as following.

